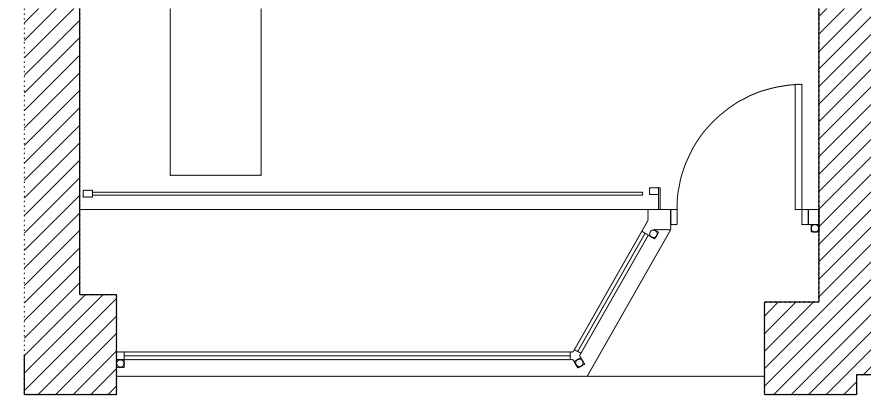




e x i s t i n g f r o n t e l e v a t i o n



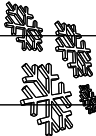
e x i s t i n g s t r e e t s c a p e



e x i s t i n g e n t r a n c e p l a n

Notes:

Rev:

 SNOW	<small>PROJECT</small> REFURBISHMENT TO COMMERCIAL UNIT, 85 BRIDGE STREET, MANCHESTER	<small>DATE</small> 03 JULY 2007
	<small>DRAWING TITLE</small> FRONT ELEVATION AS EXISTING (PLANNING)	<small>DRAWN BY</small> GH
	<small>PURPOSE</small> PLANNING	<small>PROJECT No.</small> 017/30/007

SNOW LTD Blackburne House, Hope St, Liverpool L8 7PE tel 0151 703 0500 fax 0151 703 0501 mail@snowltd.com www.snowltd.com
 The design information on this drawing is the copyright of Snow Ltd. All dimensions to be checked on site prior to commencement of the works.